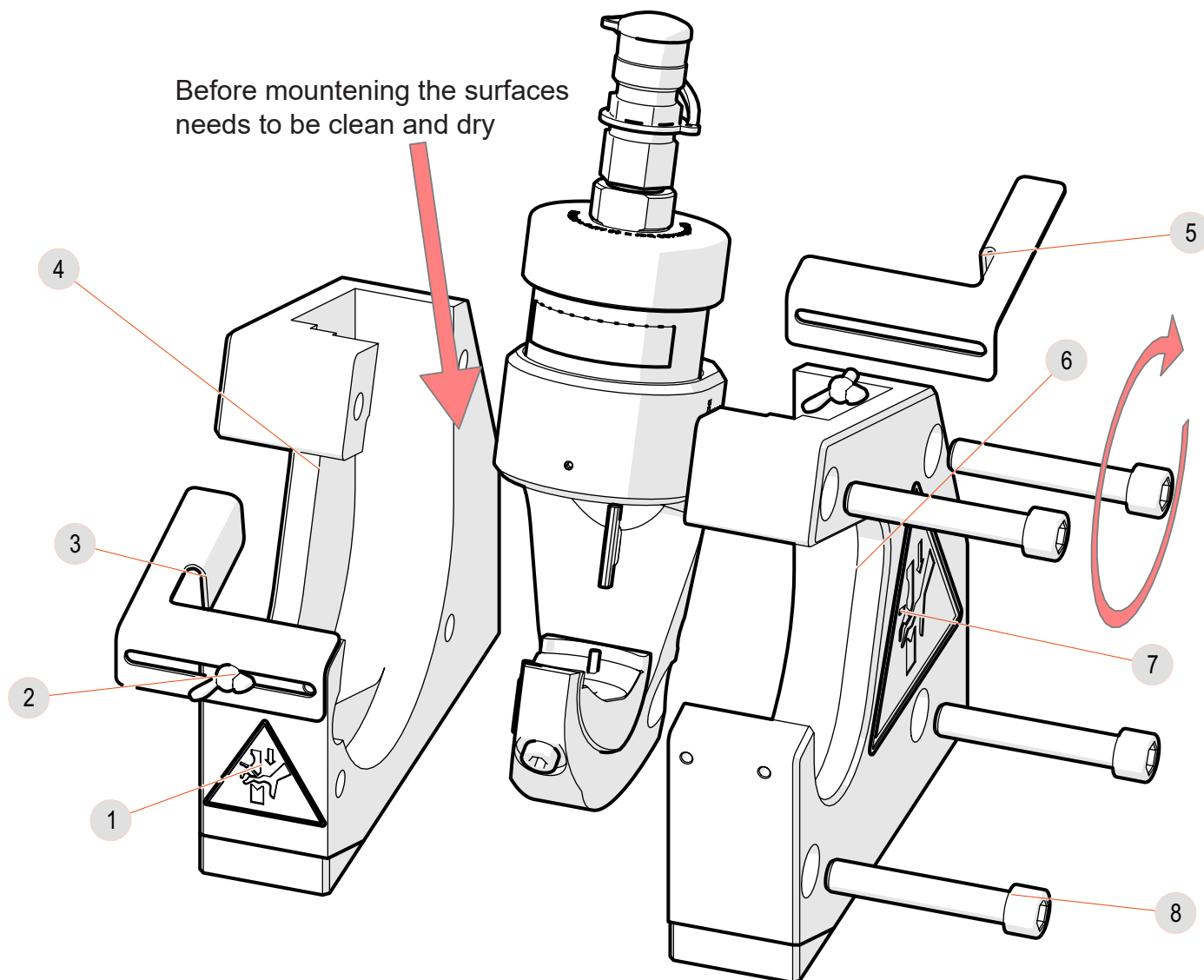


Assembly of table stand DV1300C2Cu + V1300C2AI



Id	Article No	Description	Qty	Note
1	8050-027300	Label crushing hazard 50mm	1	
2	8378-001000	Wing screw M5x10 DIN 316 fzb	2	Both screws to be used on chosen adjustable stop
3	5220-152600	Adjustable stop left	1	
4	5220-152200	Table stand V1300C2 left	1	
5	5220-152500	Adjustable stop right	1	
6	5220-152100	Table stand V1300C2 right	1	
7	8050-027200	Label crushing hazard 100mm	2	
8	8300-004100	Screw MC6S M12x70 black 12.9	4	Torque 80 Nm