

DV350

– powerful crimp head with 35 tons crimp force



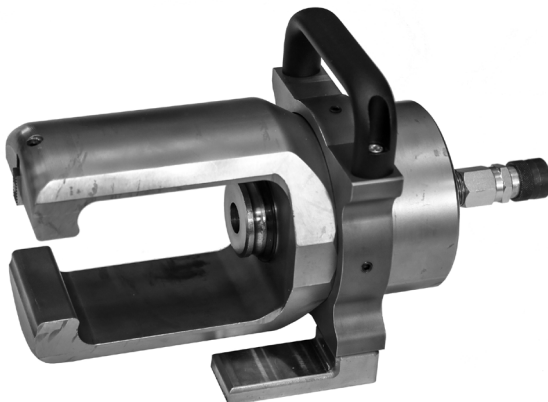
DV350 is a powerful and efficient crimp head with 35 tons crimp force. The head is used together with the electrically driven pump PS710 (the battery powered version, PS710E, is also available) or foot pump P4000, which makes the DV350 excellent for both mobile and stationary work.

Properties:

- Working pressure 63 MPa (630 bar)
- Crimp force 350 kN (35 tons)
- Large crimp area, 240-730 mm²
- Crimp dies for crimping copper 240-630 mm² (winding conductor 340-730 mm²)
- Delivered fixed on a solid foot with a handle

Technical specification:

Weight kg	Height mm	Width	Length
16,6	210	150	356



Pre-rounding of Cu

Connector size, mm ²	Winding, mm ²	Matrix	Punch
300	340-400	35R26ML	35R26DL
400	412-500	35R30ML	35R30DL
500	500-580	35R33ML	35R33DL
630	630-730	35R39ML	35R39DL



Crimp dies for Cu

Flexible, stranded, mm ²	Winding, mm ²	Dies	No. Of crimps
240	302-343	B3530L	1
300	340-400	B3532L	1
400	412-500	B3538L	1
500	500-580	B3542L	1
630	630-730	B3550L	2

