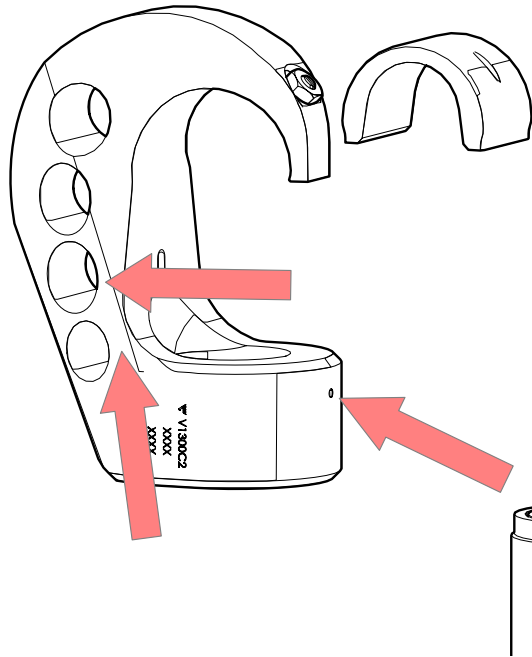
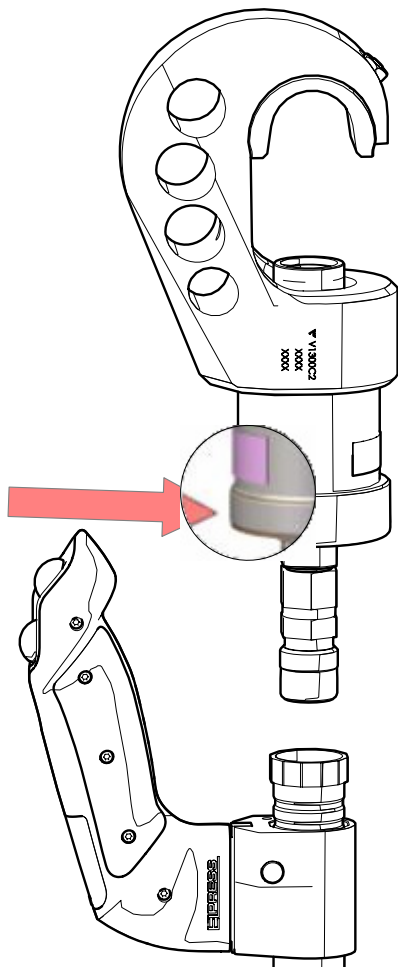


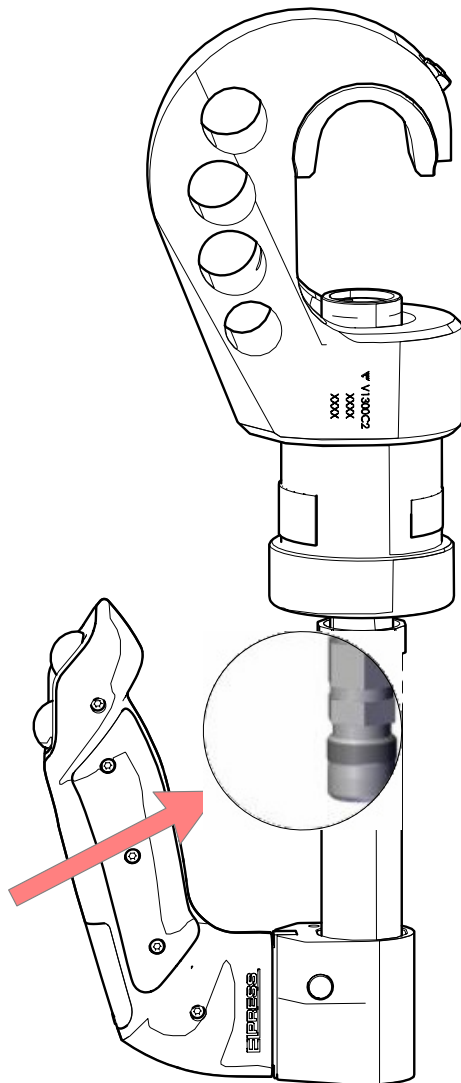
To make the security test the tablestand need to be removed. That is easily done by just loosen the screws.



Risk for cracks in the fork, see the areas the arrows shows.  
The fork needs to be checked before use.



Risk for cracks in the cylinder which can lead to oil leakage,  
see the area that the arrow shows.



Risk for oil leakage in the quick coupling, see the area the arrow shows. It's very important that the Ergo pipe is not loosen and it has it's original position to prevent sudden oil leakage.