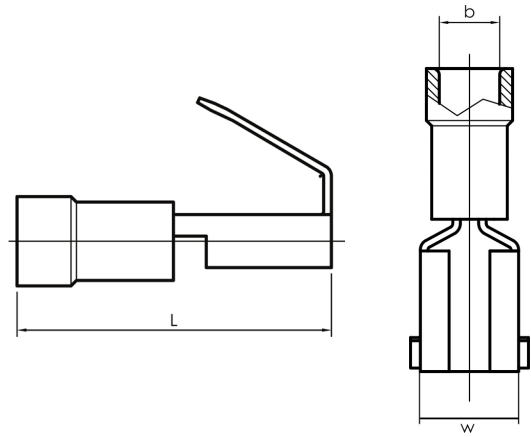


Product Datasheet

Multiple tabs, rolled type (piggy back) 0.5 - 6 mm²



mm ² (Cu)	AWG Cu	Name	W	d	L	s	For tab	Insulation material	Neck type	Easy Entry Tool	Pcs/ Material	
0,5-1,5	20-16	A1507FLSH	6,9	3,2	22	7	6,3x0,8	PA	Reinforcement sleeve	Yes	GSA0760	100 Brass, Cu/Sn
1,5-2,5	16-14	A2507FLSH	6,9	3,9	22	8	6,3x0,8	PA	Reinforcement sleeve	No	GSA0760	100 Brass, Cu/Sn
4-6	12-10	A4607FLSH	6,3		23,5		6,3x0,8	PVC	Reinforcement sleeve	No	GSA0760	100

s = strip length