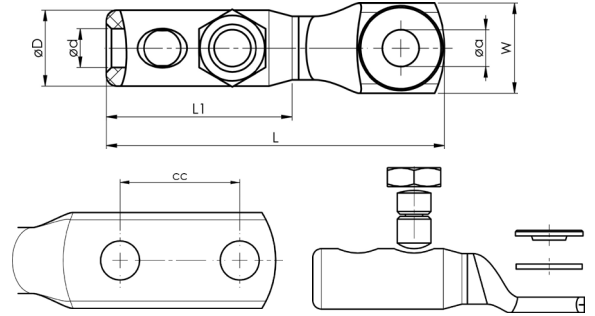




ELPRESS®

Product Datasheet

Shearbolt terminals 10 - 630 mm² (reversible screw)



Cable type round mm ²	Cable type sector mm ²	Name	Screen conductor	Screw	W (mm)	d	D	N	cc	a	L	L1	t	s
10-70	25-70	SL70R70S-10-12	10-57	M10, M12	25,5	11,0	21	12,5		12	97	59	5,5	55
95-150	95	SL150R95S-10-12	70-95	M10, M12	26	16	27	12,5		12	116	75,5	6,2	69
95-150	95	SL150R95S-12X2-40	70-95	M12x2	30,5	16	27	15	40	12	172		6,3	76
185-240	120-185	SL240R185S-12-16		M12, M16	31,5	20	33,5	15		16	134	78,5	7,9	75
300-400	240	SL400R240S-16		M16	41,5	25,8	41,5	21		16	182	103	9,6	97
300-400	240	SL400R240S-20			41,5	25,8	41,5	21		20	182	103	9,6	97
300-400	240	SL400R240S-00			41,5	33	49				187	103	9,6	97
500-630	-	SL500B-630B-12X2-40		M12x2	55	33	49	12	40	12	218		11,7	108
500-630	-	SL630R-1			55	33	49				243	129	12	120
500-630	-	SL630R-16		M16	55	33	49	30		16	241,5	129	12	120
500-630	-	SL630R-14		M14	55	33	49	30		14	243		12	120
500-630	-	SL630R-12X2-40		M12x2	55	33	49	15	40	12	243		12	120

t = palm thickness, s = strip length



ELPRESS®