

## End of Life [EOL] – KRTS product range

Dear customer,

The products named KRTS will be discontinued by February 2020.

KRTS has been during the last years the main product for cable lugs with narrow palm. Nevertheless, the KRTS has been replaced by the KRFS.

Feature	KRTS	KRFS
Approved for B-die crimping	✓	✓
Approved for DUAL crimping	✗	✓
Approved for class 5 (IEC60228)*	✗	✓
Tested acc to VDE 40 046 part 37*	✗	✓
Tested acc to IEC 61238*	✗	✓

All outgoing KRTS models are listed in the attachment.

Also a table drawing for the replacement KRFS is attached for your reference.

For more information, contact your Elpress representative nearby.

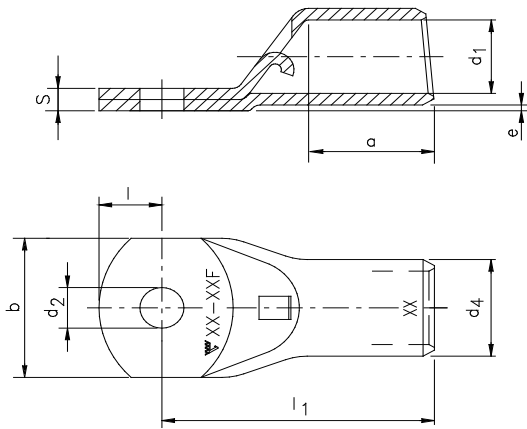
Regards



Sven Behring  
Product Manager, **ELPRESS AB**

## Attachment

<b>Item No</b>	<b>Item Name</b>
7301-287200	KRTS50-8
7301-287300	KRTS50-10
7301-287500	KRTS70-8
7301-287600	KRTS70-10
7301-287900	KRTS95-8
7301-288000	KRTS95-10
7301-288400	KRTS120-10
7301-288500	KRTS120-12
7301-288800	KRTS150-10
7301-288900	KRTS150-12
7301-289000	KRTS185-10
7301-289300	KRTS240-10
7301-289400	KRTS240-12
7301-287400	KRTS70-6
7301-288300	KRTS120-8
3404-710000	KRTS16-6X2-16
3404-710500	KRTS25-6X2-16
3404-713000	KRTS35-6X2-16
7301-287000	KRTS35-6
7301-287100	KRTS50-6
7301-287700	KRTS70-12
7301-287800	KRTS95-6
7301-288100	KRTS95-12
7301-288600	KRTS150-6
7301-288700	KRTS150-8
7301-289100	KRTS185-12
7301-289200	KRTS185-16
7301-289500	KRTS240-16



**TUBE TERMINAL**  
**Type KRFS50-300Amm<sup>2</sup>**

Elpress terminals for stranded and flexible conductors acc. to IEC 60228 class 2 and class 5.

Area	bolt	d1	d4	b	d2	a min	e	l	l1	s	Strip length
50	-6	11	14.5	15	6.4	17	1.25	11	40	4	19
	-8	11	14.5	16.5	8.4	17	1.25	11	40	3.8	19
	-10	11	14.5	16.5	10.5	17	1.25	11	41	3.8	19
70	-6	13	17	17	6.4	20	1	11	47	4.5	22
	-8	13	17	17	8.4	20	1	11	47	4.5	22
	-10	13	17	19	10.5	20	1	11	47	3.9	22
95	-6	15	20	19	6.4	23	1	11	52	5.7	25
	-8	15	20	19	8.4	23	1	11	52	5.7	25
	-10	15	20	19	10.5	23	1	11	52	5.7	25
	-12	15	20	20	13	23	1	12	52	5.4	25
120	-6	17	22	19	6.4	25	1	11	56	5.9	27
	-8	17	22	19	8.4	25	1	11	56	5.9	27
	-10	17	22	19	10.5	25	1	11	56	5.9	27
	-12	17	22	22	13	25	1	12	58	5	27
150	-6	19	25	25	6.4	30	1	11	63	6.3	32
	-8	19	25	25	8.4	30	1	11	63	6.3	32
	-10	19	25	25	10.5	30	1	11	63	6.3	32
	-12	19	25	25	13	30	1	12	64	6.3	32
185	-10	21	27	27	10.5	35	1	11	68	6.6	37
	-12	21	27	27	13	35	1	12	70	6.6	37
240A	-10	22.5	29	29	10.5	35	1	15	76	7.7	37
	-12	22.5	29	29	13	35	1	15	76	7.7	37
	-16	22.5	29	29	17	35	1	20	76	7.7	37
300A	-10	24.5	31.5	31	10.5	38	1.25	15	79	8.6	40
	-12	24.5	31.5	31	13	38	1.25	15	79	8.6	40
	-16	24.5	31.5	31	17	38	1.25	20	79	8.6	40